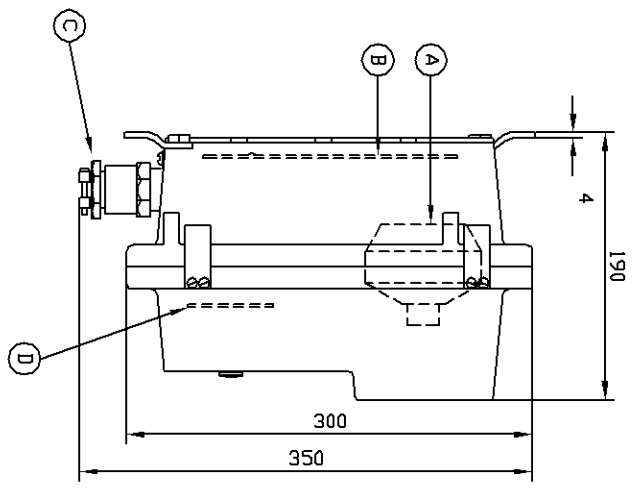
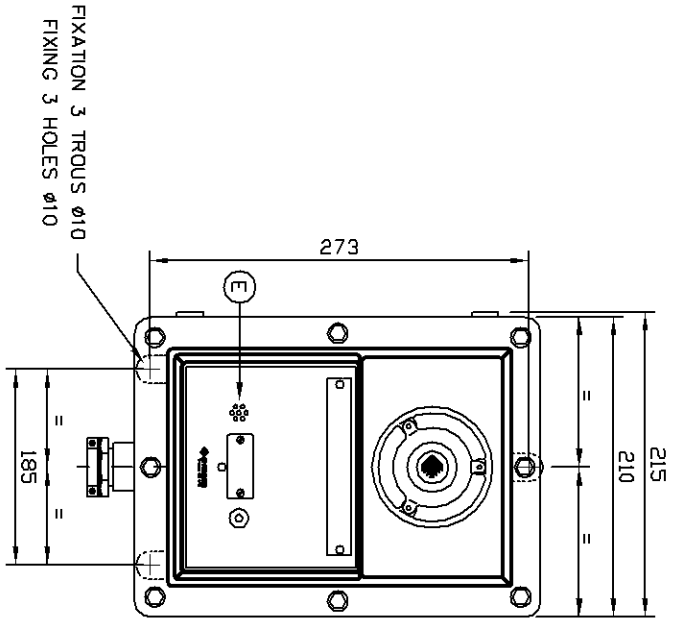
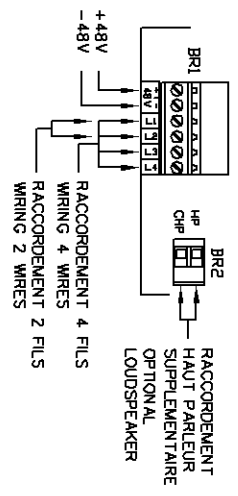


**ENCOMBREMENT  
DIMENSIONS**



**RACCORDEMENT**  
(sur carte mere WK234U2G2)  
WIRING  
(on mother cord WK234U2G2)



**DESCRIPTION** CARTIER CONSTITUE D'UNE BOITE ET D'UN COUVERCLE EN METAL LEGER PROTEGE PAR PEINTURE EPOXY PG13. LA FERMETURE DU COUVERCLE A CHARNIERES SEFFECTUE PAR 8 VIS CHC M8X20 EN ACIER INOX. TETES NOYEEES DANS UNE ALVEOLE.

**CE CARTIER COMPREND:**

- (A) 1 MOTEUR A CHAMBRE COMPRESSION 15W
- (B) 1 CARTE UNIVERSAL 2/4 FILS 15 WATTS
- (C) 1 ENTREE POUR CABLE Ø SUR GAINE 5 MINI A 12 MAXI
- (D) 1 CARTE BOUTON UNIZG
- (E) 1 MICROPHONE ELECTRET

**REFERENCES**

**REFERENCE:** TLH 214 A1G

**POIDS:** 8,6Kg  
ATTESTATION CE DE TYPE POUR LE GROUPE EExdIBT6 - II2G - INERIS 03ATEX0238X CONFORME AUX NORMES EN 53514 ET 518 ET A LA DIRECTIVE ATEX 94/9/CE  
PLAN D'AGREMENT TLH214A4 ACE PL.1 A 3

**DESCRIPTION** CASING CONSISTING OF A BOX AND COVER OF LIGHT ALLOY PROTECTED BY EPOXY PAINT PG13. THE HINGED COVER IS CLOSED BY 8 SCREWS CHC M8X20 IN STAINLESS STEEL WITH HEAD EMBEDDED IN A RECESS.

**THIS CASING INCLUDES:**

- (A) 1 LOUDSPEAKER'S MOTOR
- (B) 1 MOTHER CARD UNIZG
- (C) 1 CABLE GLAND FOR CABLE Ø ON SHEATH 5 MINI 12 MAX
- (D) 1 PUSH BUTTOM CARD
- (E) 1 ELECTRET MICROPHONE

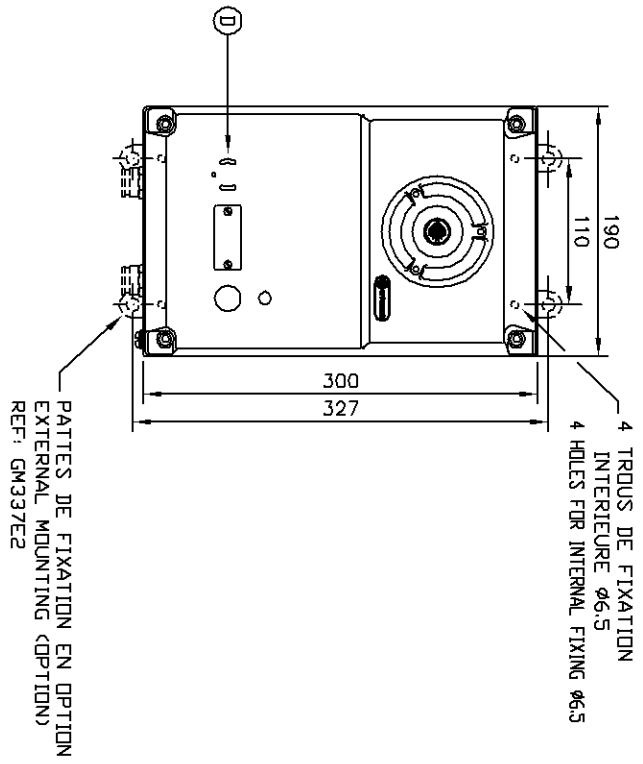
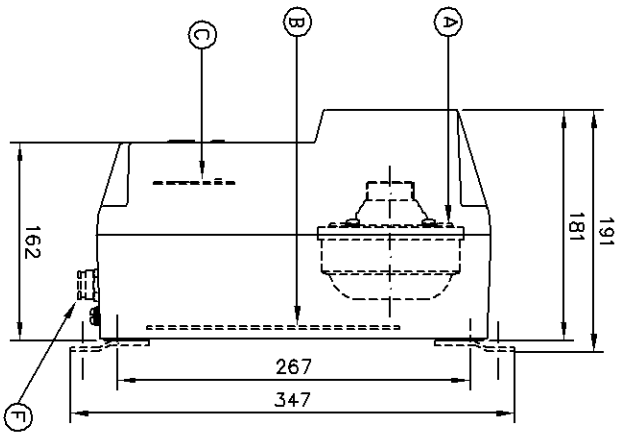
**REFERENCES**

**REFERENCE:** TLH 214 A1G

**WEIGHT:** 8,6Kg  
CERTIFICATION OF THIS TYPE FOR GROUP EExdIBT6 - II2G - INERIS 03ATEX0238X CONFORMS TO STANDARDS EN 53514 AND 518 AND ATEX DIRECTIVE 94/9/CE  
APPROVAL PLAN TLH214A4 ACE PL.1 A 3

CONSTRUCTEUR		<b>SYSCOM</b>		34/36 R. Roger SALENARDI F94134 FONTENAY/BOIS	
MANUFACTURER		EXECUTION:		Echelle/Tirair Plan/Tirair disk/Planche	
MATERIE:		UNIZG		L/4 01 214A-ENC	
POSTE SECONDAIRE 1 DIRECTION ADF		TYPE MURAL "EExdIBT6" II2G		TLH9214A1G	
1 LINE EXPLOSIONPROOF SUB-STATION		FOLD			
28/09/99	A	ESTABLISHED	here EN/ISSION/Initial Issue	VERIFIED	APPROVED
DATES	REV	ETABLISHED	MODIFICATIONS Revisions	Checked	Approved

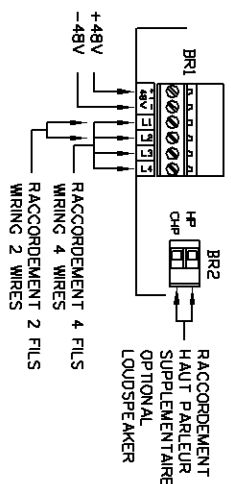
ENCOMBREMENT  
DIMENSIONS



- NOTA: STATION IS DELIVERED WITH BAG WHO INCLUDES:
- 2 Bouchons d'obturation
  - 1 ENTREE DE CABLE TYPE ES116C12\*14
  - 1 POUR CABLE Ø12 A 14 MAXI
  - 1 ENTREE DE CABLE TYPE ES11C8\*10
  - 1 POUR CABLE Ø8 A 10 MAXI
  - 1 Bouchon REDUCTEUR PE16/PE11

- NOTA: STATION IS DELIVERED WITH BAG WHO INCLUDES:
- 2 SEALING CAPS
  - 1 CABLE ENTRY TYPE ES116C12\*14 FOR Ø12/14 MAX CABLE
  - 1 CABLE ENTRY TYPE ES11C8\*10 FOR Ø8/10 MAX CABLE
  - 1 CABLE ENTRY REDUCER PE16/PE11

RACCORDEMENT  
(sur carte mere WK234U2G2)  
WIRING  
(on cord WK234U2G2)



DESCRIPTION:

CARTER CONSTITUE D'UNE BOITE ET D'UN COUVERCLE EN METAL LEGER, PROTEGE PAR PEINTURE EPOXY PG13. LA FERMETURE DU COUVERCLE A CHARNIERES SEFFECTUE SUR UN JOINT DETANCHEITE PAR 4 VIS CHCM6, JETES NOYEEES DANS UNE ALVEOLE.

- Ⓐ 1 MOTEUR A CHAMBRE DE COMPRESSION 15WCE225V7
- Ⓑ CARTE MERE UNI2G 15 WATTS WK234U2G2
- Ⓒ CARTE 1 BOUTON AVEC LED WK024C8T
- Ⓓ MICRO ELECTRET CE515V2
- Ⓔ ENTREES DE CABLE ( VOIR NOTA ) GM208A10

INDICE DE PROTECTION: IP667

REFERENCE: TLH344E1G SCHEMA DE PRINCIPE: SP024C8T + SP234U2G

DESCRIPTION:

CASE AND COVER IN LIGHT ALLOY EPOXY PAINT PG13. THE COVER IS HINGED AND CLOSED BY 4 STAINLESS STEEL SCREWS WITH HEAD EMBEDDED IN A RECESS.

- Ⓐ 1 LOUDSPEAKER'S MOTOR CE225V7
- Ⓑ MOTHER BOARD UNIVERSAL2 WK234U2G2
- Ⓒ 1 PUSH BUTTOM CARD WK024C8T
- Ⓓ ELECTRET MICROPHONE CE515V2
- Ⓔ CABLE GLANDS ( SEE NOTA ) GM208A10

PROTECTION DEGREE: IP667

REFERENCE: TLH344E1G CIRCUIT DIAGRAM: SP024C8T + SP234U2G

CONSTRUCTEUR Manufacturier	<b>SYSCOM</b>	34/36 R. Roger SALENARDI F94134 FONTENAY/BOIS
MATIERE:	EXECUTION:	
UNIVERSAL 2G	Echelle/Tirair Plan/Tirair disk/Planche	L/3 01 344E-ENC
POSTE SECONDAIRE UNI2G 1 DIRECTION	FDL10	
15 WATTS TYPE MURAL ETANCHE	TLH9344E1G	
1 WAY WEATHERPROOF WALL MOUNTING SUBSTATION		

29/09/99	A	ETABL	here ENISSON/Initial Issue	VERIFIE	APPROVE
DATE'S	REV	ETABL	MODIFICATIONS	Checked	Approved
Revis	Revis	Revis	Revisions		