



MUSIC CABINET LOUDSPEAKERS

JD20/TB

This stylish Music Cabinet Loudspeakers benefit from a 2-way enclosure, a custom loaded midrange/Bass and a polypropylene coned drive unit. It has been paired with a high performance neodymium tweeter to accurately reproduce the high frequencies. Both drive units are matched with a passive crossover to ensure a smooth performance over the operating bandwidth.

Designed for use in shops, clubs, themed environments, wine bars etc., this speaker provides a high quality performance from a compact and attractive enclosure.



● Electrical	
Rated power, Watts	20
Tappings 100 volt line, Watts	20/10/5/2.5
Transformer Impedance, Ohms, 100V	500/1k/2k/4k
Tappings 70.7 volt line, Watts	10/5/1.25/0.75
Driver impedance, Ohms	16
Effective frequency range, Hz (BSEN60268-5)	63 – 20,000
S.P.L. @ 1m, 1 watt, dB, Test Signal Bandwidth 100Hz-10 kHz	84
S.P.L. @ Full power, Octave Bandwidth, dB	97
Acoustic Power (dB-PWL@1 Watt) 1k/2kHz, dB	78/75
Dispersion at 1k/2k Hz, Degrees	180/100
Directivity Axial Q factor, 1k/2kHz	3.5/ 7.1
● Environmental	
IP Rating	n/a
Min/Max Ambient Temp	-10°C to 55°C
Relative Humidity	≤75%
● Mechanical	
Dimensions, front & depth, mm	146x229x150
Net weight, kg	1.9
Colour/Finish	Black
Material	ABS moulded housing
Mounting	Die-cast Aluminium Swivel Bracket



ATEIS Europe B.V.

Celsiusstraat 1, 2652 XN Lansingerland, Netherlands

Phone +31 (0)10 208 86 90, www.ateis-europe.com, info@ateis-europe.com



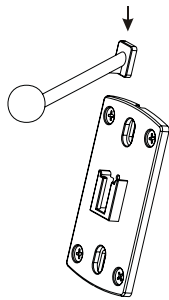
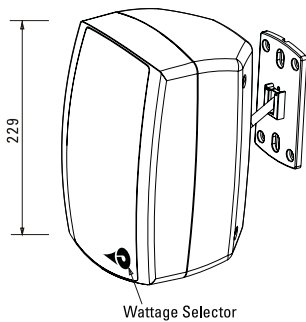


PENTON

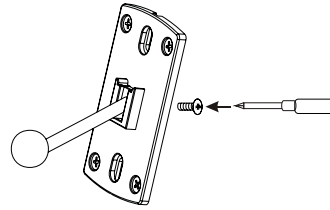
INSTALLATION GUIDE

JD20/TB

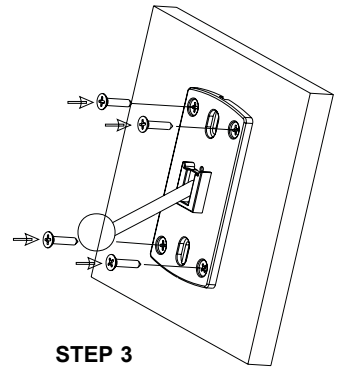
Side view
(unit: mm)



STEP 1

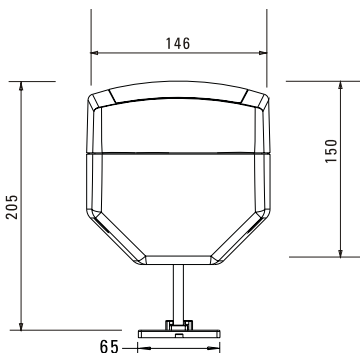


STEP 2



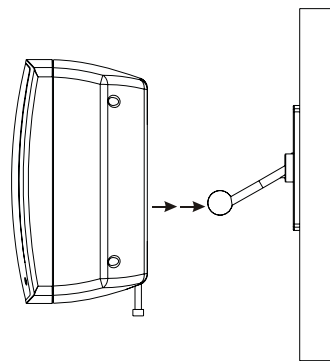
STEP 3

Top view
(unit: mm)

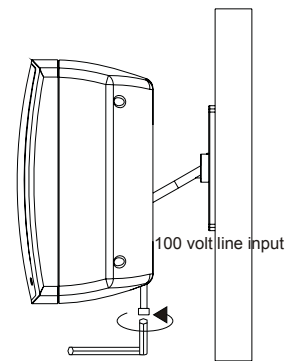


Volume selector switch can be found in the centre of the Penton Logo

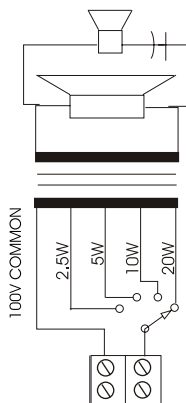
STEP 4



ATTENTION
DO NOT OVERTIGHTEN

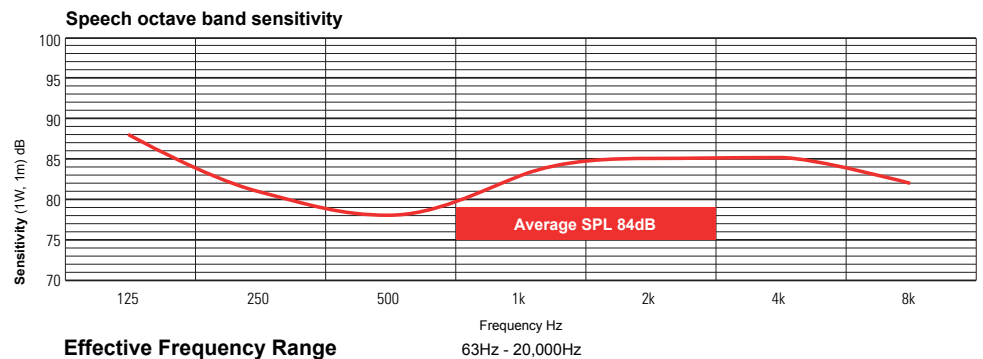


STEP 5



Circuit Diagram

Frequency response



Disclaimer: We reserve the right of changes and errors.



ATEiS Europe B.V.
Celsiusstraat 1, 2652 XN Lansingerland, Netherlands
Phone +31 (0)10 208 86 90, www.ateis-europe.com, info@ateis-europe.com

