



TWO-WAY MUSIC PROJECTOR LOUDSPEAKER

MPS30/T

The MPS30/T is a weatherproof two-way music Projector Loudspeaker with a high-frequency unit, consisting of ABS plastic. The rectangular housing is kept very compact and the power through the 30 watt transformer on a high Level. The MPS30/T is perfect for areas where besides good voice quality also a very good music reproduction is important and a high sound pressure is required, such as outdoor pools, sports arenas, leisure centers on cruise ships etc.

The speaker cabinet comes with a stainless steel bar (A304/A2). All screws consist of the same material. The MPS30/T is supplied complete with a cable gland for secure connection cable feedthrough.



● Electrical	
Rated power, Watts	30
Tappings 100 volt line, Watts	30/15/7.5/3.75
Transformer Impedance, Ohms 100V	333/667/1.33k/2.66k
Tappings 70.7 volt line, Watts	15/7.5/3.75/1.875
Driver impedance, Ohms	8
Effective Frequency Range, Hz (BSEN60268-5)	70 - 16,500
S.P.L. @ 1m, 1watt, dB, Test Signal Bandwidth 100Hz-10kHz	97
S.P.L. @ 4m, Full power, dB, 1/3 Octave 1KHz	112
Dispersion at 1k/2k Hz, Degrees	50/30 (horizontal), 90/90 (vertical)
Directivity Q factor, 1k/2k Hz	9.2
● Environmental	
IP Rating	33
Min/Max amb temp	-25°C to 70°C
Relative Humidity	≤95%
● Mechanical	
Dimensions, mm	329x181x297
Net weight, kg	3.6
Colour (Unless Specified)	Light Gray RAL 7035
Material	ABS plastic housing with UV protection
Mounting	Stainless steel U-bracket



ATEIS Europe B.V.
 Celsiusstraat 1, 2652 XN Lansingerland, Netherlands
 Phone +31 (0)10 208 86 90, www.ateis-europe.com, info@ateis-europe.com

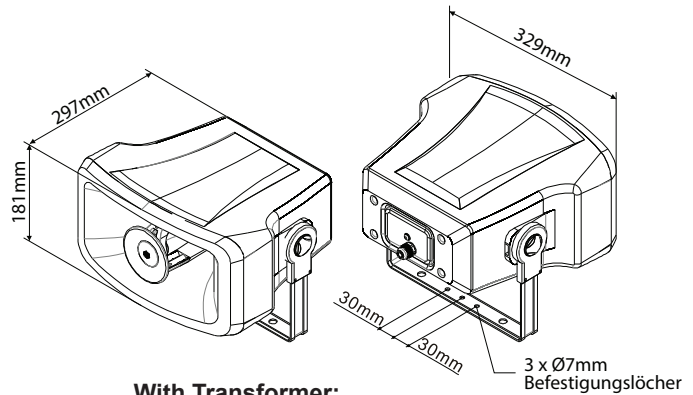
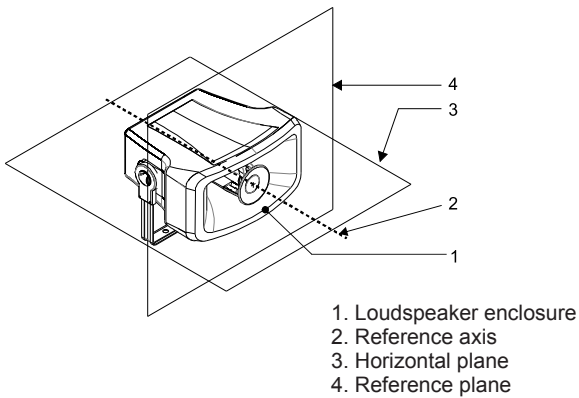




PENTON

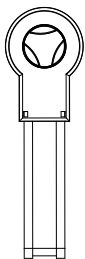
INSTALLATION GUIDE

MPS30/T

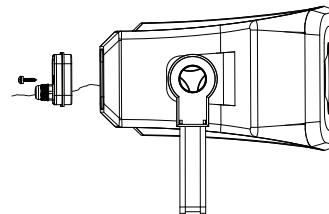
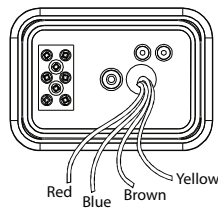


**With Transformer:
100V/70V line**

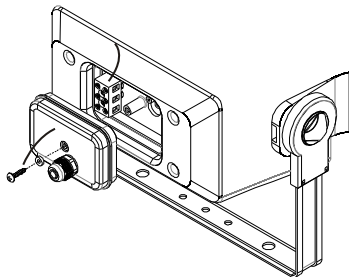
	White wire plus tapping					Black
100V	3.75W	7.5W	15W	30W	COM	
70V	1.875W	3.75W	7.5W	15W	COM	
IMP (Ω)	2.66K	1.33K	667	333		



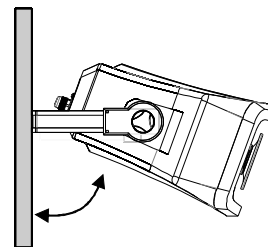
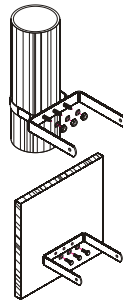
1) Remove bolt cover cap and loosen bolt. Adjust to required angle in a ratchet formation and tighten bolt & replace cover.



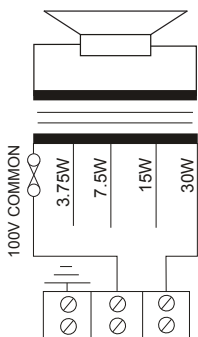
2) Remove fixing bolt and gland cable through back lid. Terminate to ceramic block, then select the power you require (30W/15W/7.5W/ 3,75W /100V).



3) Secure gland(s), then replace Lid ensuring gasket is fitted correctly.

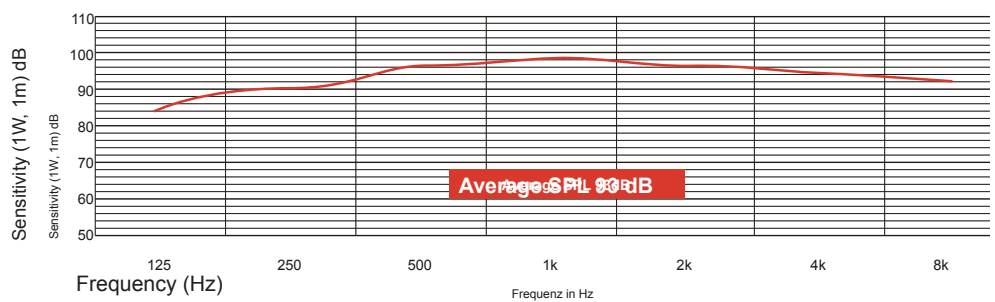


4) Drill the mounting location holes for the unit in line with the "U" bracket (2 holes 30 millimetres apart) in the surface where the loudspeaker is to be located.



Circuit Diagram

Frequency response



Disclaimer: We reserve the right of changes and errors.



ATEiS Europe B.V.
Celsiusstraat 1, 2652 XN Lansingerland, Netherlands
Phone +31 (0)10 208 86 90, www.ateis-europe.com, info@ateis-europe.com

