



## A/B WALLMOUNT SPEAKER, WOODEN HOUSING

# WWC6TAB/EN



The WWC series is a combination of modern design, high quality sound performance, and an ideal voice alarm speaker for fire alarm and detection systems. It contains one 3,5" speaker driver with 1 x 6W transformer.



### EN54-24:2008 0905-CPR-00607 TYPE A

|   |   |
|---|---|
| ● <b>Standard</b>                                       | Compliant to EN54-24<br>Compliant to BS5839:8 |
| ● <b>Electrical</b>                                     |   |
| Rated power, Watts                                      | 2 x (6)                                       |
| Tappings 100 Volt line, Watts                           | 2 x (6/3/1.5/0.75/0.25)                       |
| Transformer Impedance, Ohms 100 Volt                    | 2 x (1.67k/3.33k/6.66k/13.3k/40k)             |
| Tappings 70.7 Volt line, Watts                          | 2 x (3/1.5/0.75/0.375/0.125)                  |
| Driver impedance, Ohms                                  | 2 x (8)                                       |
| Effective Frequency Range, Hz (BSEN60268-5)             | 200-20,000                                    |
| S.P.L. @ 1 m, 1 Watt, dB, Octave, 100 Hz-10 kHz         | 95  |
| S.P.L. @ 1 m, Full power, dB, Octave, 100 Hz-10 kHz     | 103   |
| S.P.L. @ 4 m, 1 Watt, dB, 1/3 Octave, 100 Hz-10 kHz     | 82  |
| S.P.L. @ 4 m, Full power, dB, 1/3 Octave, 100 Hz-10 kHz | 89  |
| Dispersion at 1k/2k Hz, Degrees                         | 149/100 Horizontal 104/56 Vertical            |
| ● <b>Environmental</b>                                  |   |
| IP-rating   | 21  |
| Min/Max amb temp  | -10°C to 55°C                                 |
| Relative humidity                                       | ≤95%  |
| ● <b>Mechanical</b>                                     |   |
| Dimensions, Front & Depth, mm                           | 255 x 196 x 82                                |
| Net weight, kg  | 2.29  |
| Colour (Unless Specified)                               | White, RAL9016                                |
| Material  | Wooden, White PVC Finish, Steel               |
| Mounting  | Wall Mounting                                 |
| Safety  | 2 x Ceramic Block<br>2 x Thermal Fuse         |



**ATEIS Europe B.V.**  
Celsiusstraat 1, 2652 XN Lansingerland, Netherlands  
Phone +31 (0)10 208 86 90, [www.ateis-europe.com](http://www.ateis-europe.com), [info@ateis-europe.com](mailto:info@ateis-europe.com)



# INSTALLATION GUIDE

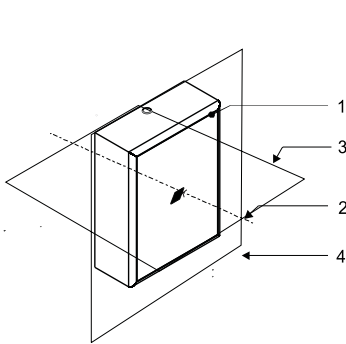
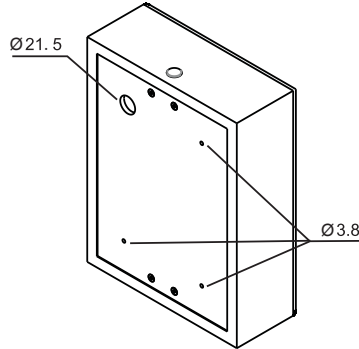
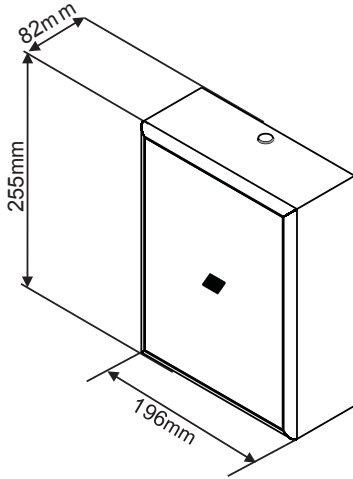
## WWC6TAB/EN

**EN54-24:2008**  
**0905-CPR-00607**  
**TYPE A**

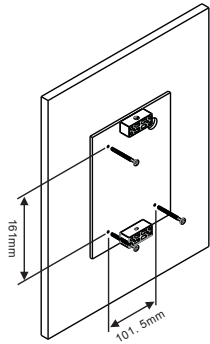
With Transformer:

100V/70V line

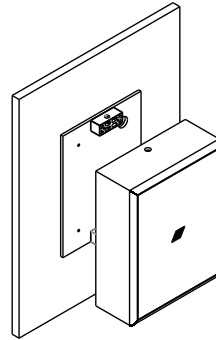
|         | White wire plus tapping |        |       |       |       | Black |
|---------|-------------------------|--------|-------|-------|-------|-------|
| 100V    | 0.25W                   | 0.75W  | 1.5W  | 3W    | 6W    | COM   |
| 70V     | 0.125W                  | 0.375W | 0.75W | 1.5W  | 3W    | COM   |
| IMP.(Ω) | 40k                     | 13.3k  | 6.66k | 3.33k | 1.67k |       |



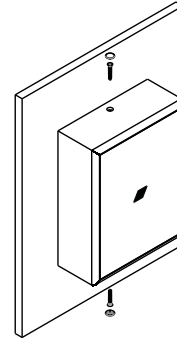
1. Loudspeaker enclosure
2. Reference axis
3. Horizontal plane
4. Reference plane



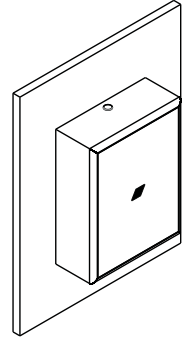
- 1) On selecting the chosen position for the loudspeaker (it can be mounted vertically or horizontally) use a spirit level to ensure that it is level. Offer the speaker to the wall or ceiling and mark through the mounting holes, as shown on the drawing to the top, the position required for drilling. Drill 3 holes according to the dimension on the draw.



- 2) Cabling can now take place, connect the 100 volt line supply to your required volume as shown on the circuit diagram.

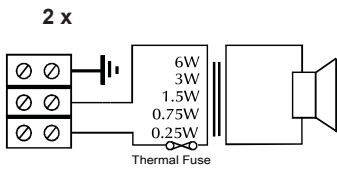


- 3) Align the holes on the wooden frame to the holes on the plastic blocks.



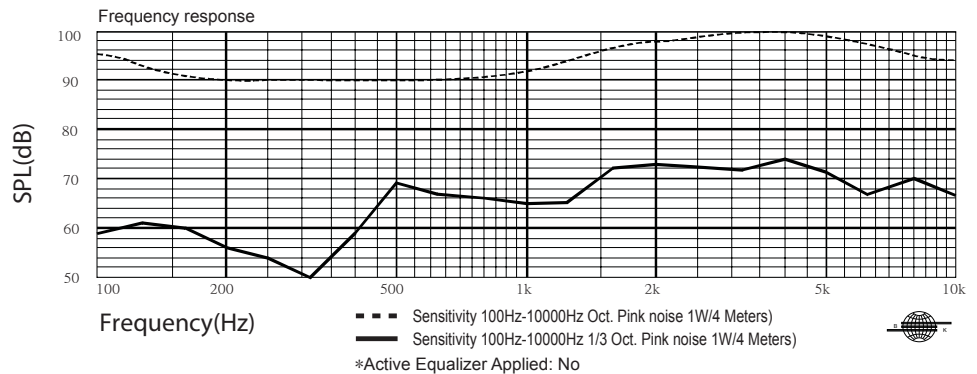
- 4) Lock the wooden frame and plastic block together with the screws in the speaker enclosure, and using the plastic caps to cover the screws.

### Technical Specifications



**Circuit Diagram**

WWC6TAB/EN



Disclaimer: We reserve the right of changes and errors.



**ATEIS Europe B.V.**  
 Celsiusstraat 1, 2652 XN Lansingerland, Netherlands  
 Phone +31 (0)10 208 86 90, [www.ateis-europe.com](http://www.ateis-europe.com), [info@ateis-europe.com](mailto:info@ateis-europe.com)

