



CEILING-MOUNTED LOUDSPEAKER

RGS6FT/ENC

RGS6FT/ENC is an attractive ceiling-mounted loudspeaker in a metal version. This product with the well-known bayonet System fits in visually very well in our existing product lines. Three metal snap springs allow a safe and even fit of these built-in loudspeakers. The high-quality loudspeaker broadband chassis and the 100 V transformer form a unit with the front grille, which lock the system with the bayonet on the mounting ring.



EN54-24:2008 0905-CPR-201110 TYPE A

● Standard	Compliant to EN54-24 Compliant to BS5839:8
● Electrical	
Rated power, Watts	6
Tappings 100 Volt line, Watts	6/3/1.5/0.75/0,25
Transformer Impedance, Ohms 100 Volt	1,67k/3.33k/6.67k/13.3k/40k
Tappings 70.7 Volt line, Watts	3/1.5/0.75/0.375/0.125
Driver impedance, Ohms	8
Effective Frequency Range, Hz (BSEN60268-5)	100-17.500
S.P.L. @ 1 m, 1 Watt, dB, Octave, 100 Hz-10 kHz	94
S.P.L. @ 1 m, Full power, dB, Octave, 100 Hz-10 kHz	102
S.P.L. @ 4 m, 1 Watt, dB, 1/3 Octave, 100 Hz-10 kHz	81
S.P.L. @ 4 m, Full power, dB, 1/3 Octave, 100 Hz-10 kHz	85
Dispersion at 1k/2k Hz, Degrees	169/95 Horizontal 170/96 Vertical
● Environmental	
IP Rating	21
Min/Max amb temp	-10°C to 55°C
Relative Humidity	≤95%
● Mechanical	
Dimensions, mm	Ø215 x 106
Net weight, kg	1.35
Colour (Unless Specified)	White, RAL9016
Material	Steel
Mounting	Bayonet system with 3 retaining springs
Cut-out, mm	Ø195
Safety	Ceramic Block Thermal Fuse Capacitor for DC line monitoring



ATEIS Europe B.V.
Celsiusstraat 1, 2652 XN Lansingerland, Netherlands
Phone +31 (0)10 208 86 90, www.ateis-europe.com, info@ateis-europe.com



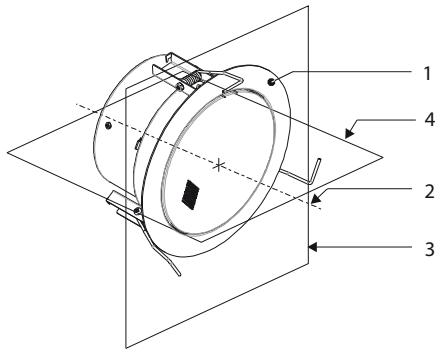
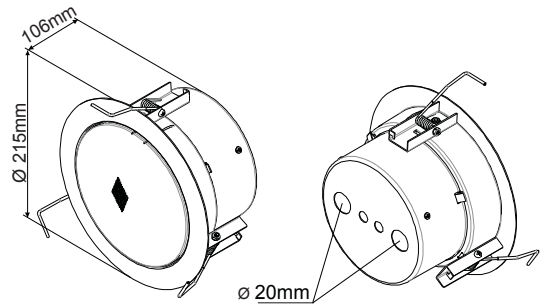


PENTON

INSTALLATION GUIDE

RGS6FT/ENC

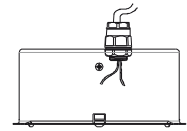
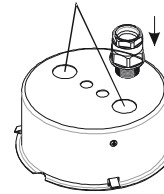
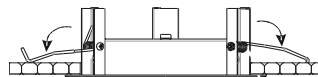
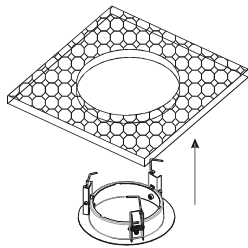
EN54-24:2008
0905-CPR-201110
TYPE A



1. Loudspeaker enclosure
2. Reference axis
3. Reference plane
4. Horizontal plane

**With Transformer:
100V/70V line**

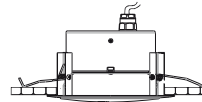
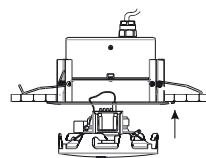
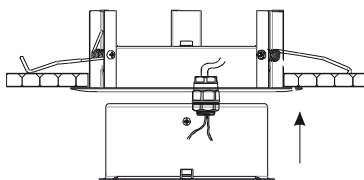
	White wire plus tapping						Black
100V	0.25W	0.75W	1.5W	3W	6W	COM	
70V	0.125W	0.375W	0.75W	1.5W	3W	COM	
IMP (Ω)	40k	13.3k	6.67k	3.33k	1.67k		



1) Place the ceiling cutout (195 mm) and insert the mounting ring.

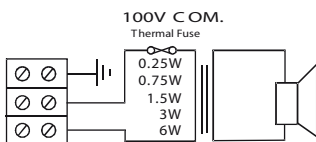
2) Release the springs from the brackets.

3) Insert the cable gland(s) into the receptacle(s).



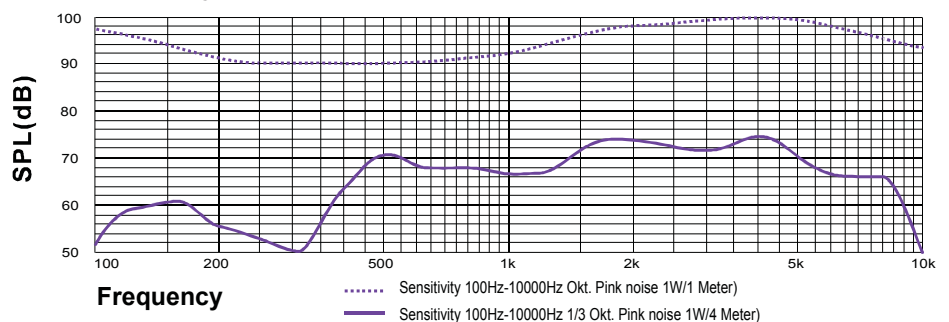
5) Insert the front part from below into the mounting ring and turn it slightly until a secure fit is ensured.

4) Push the fire dome into the mounting ring from below until it clicks into place.



Circuit Diagram

Frequency response



Disclaimer: We reserve the right of changes and errors.



ATEIS Europe B.V.
Celsiusstraat 1, 2652 XN Lansingerland, Netherlands
Phone +31 (0)10 208 86 90, www.ateis-europe.com, info@ateis-europe.com

